



Automatic Laminator for Color Glass Interiors

BOARDMASTER-1600

Max. Laminating Speed : 3m/min for Hot Lamination,
6m/min for Cold Lamination

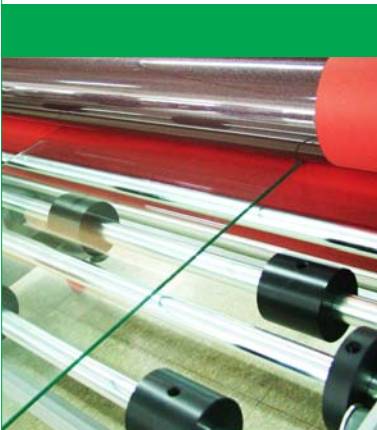
Max. Laminating Width : 1600mm

Available Thickness of Glass : 3, 5, 7, 8, 10, 15, 20, 25mm

**FOR SHEET LAMINATING
FOR GLASS TRANSFERRING
THE ABOVE 2 JOBS ARE
AVAILABLE IN 1 MACHINE**



**PRESS THE BUTTON ONLY,
THEN YOU CAN GET THE
INTERIOR GLASS.**



- PRODUCTION OF INTERIOR GLASS (Color Glass, Wood Pattern, Marble Pattern) WITH TRANSFER FILM
- Available Large Volume Production Line with capacity of 1 sheet / min.
- Available Cost Reduction Effect (expected 30% cost reduction compare with the existed way)
- Simple Control with Touch Panel
- Available Various Jobs

BOARDMASTER-1600

www.gmp.com

ISO 9001:2000 Certificate



ISO 14001 Certificate



RoHS Certificate



UL-WTDP, CB-TMP Lab. Certificate



KOSDAQ Registered Corporation(NO. 018290)

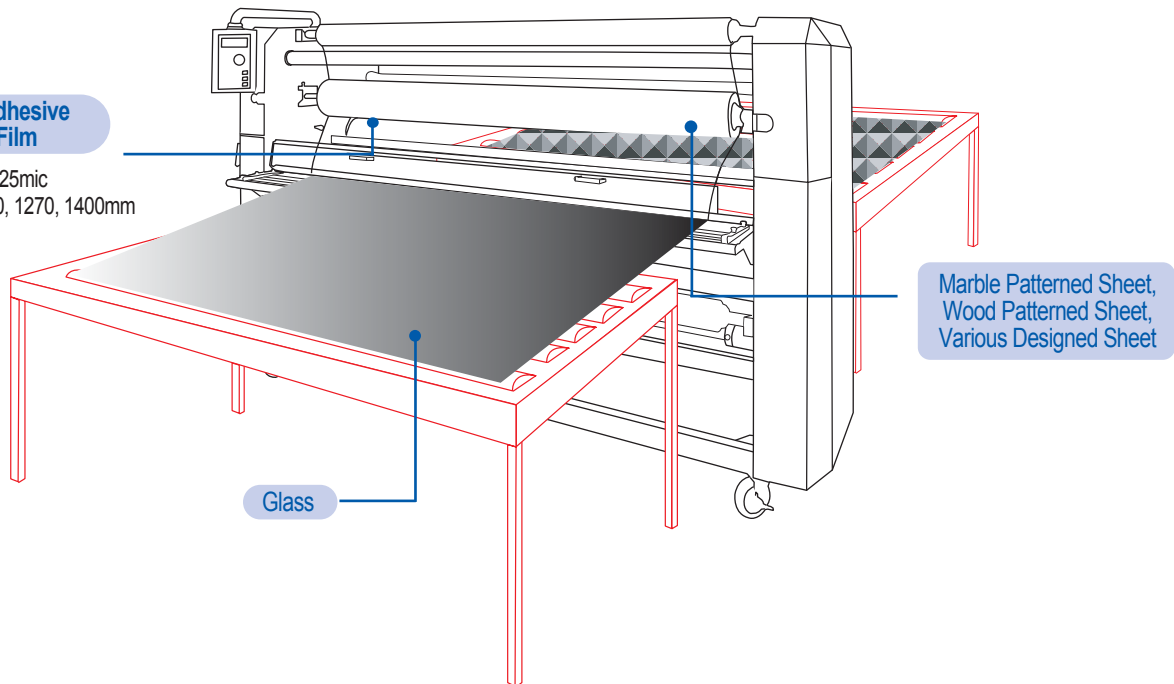
GMP GMP CO., LTD.



BOARDMASTER-1600

Double Side Adhesive Transparency Film

- Film Thickness : 25mic
- Film Width : 1040, 1270, 1400mm



• Sample for Glass Laminating (with Wood & Marble Patterns)



Specifications

Model Name	BOARDMASTER-1600	
Max. Laminating Speed	3m/min for Hot Lamination 6m/min for Cold Lamination	Max. Laminating Temp. 150 °C Max.
Max. Laminating Width	1600mm	Speed Control Jog Dial
Glass Thickness	3/5/7/8/10/15/20/25mm	Temp Control Jog Dial
Power Requirement	AC 380V, 60Hz, 3Phase	Pressure Control Pneumatic(10step)
Power Consumption	8300W, 14.5A	Film Core 77Combi core
Warm-Up Time	17min	Dimension (W x L x H) 2,200x1,075x1,560mm
Heating System	Hot Roller Internal Infrared Heater	Main Motor Dc Geared Motor 120W
		Rewinder Motor Link to Main Motor

GMP reserves the right to after change specifications without prior notice.